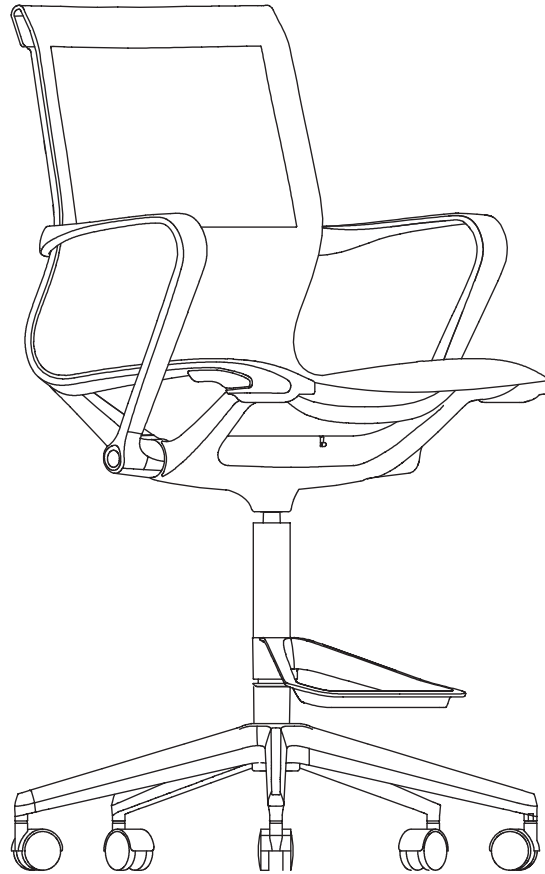




SCAN HERE
to see additional
information and
product videos



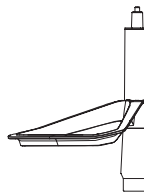
Tools Required

No additional tools required.

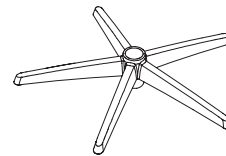
Parts Included



A x 1
Seat/Back/Frame



B x 1
Gaslift Assembly



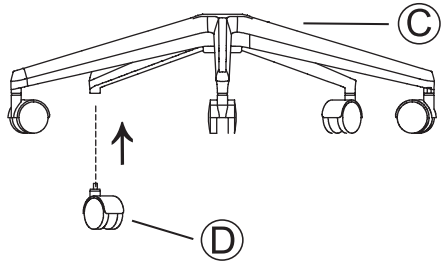
C x 1
Base



D x 5
Casters

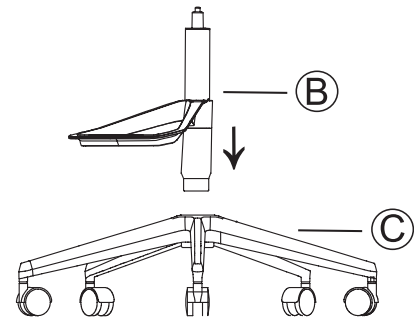
Step 1

Insert the 5 casters (D) into base (C).



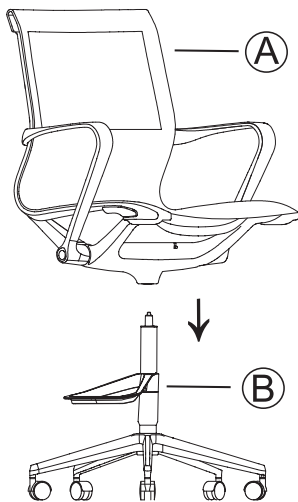
Step 2

Insert gaslift assembly (B) into the base (C).



Step 3

Set seat assembly (A) onto the gaslift assembly (B).



Step 4

Sit on the chair to lock in place.

